

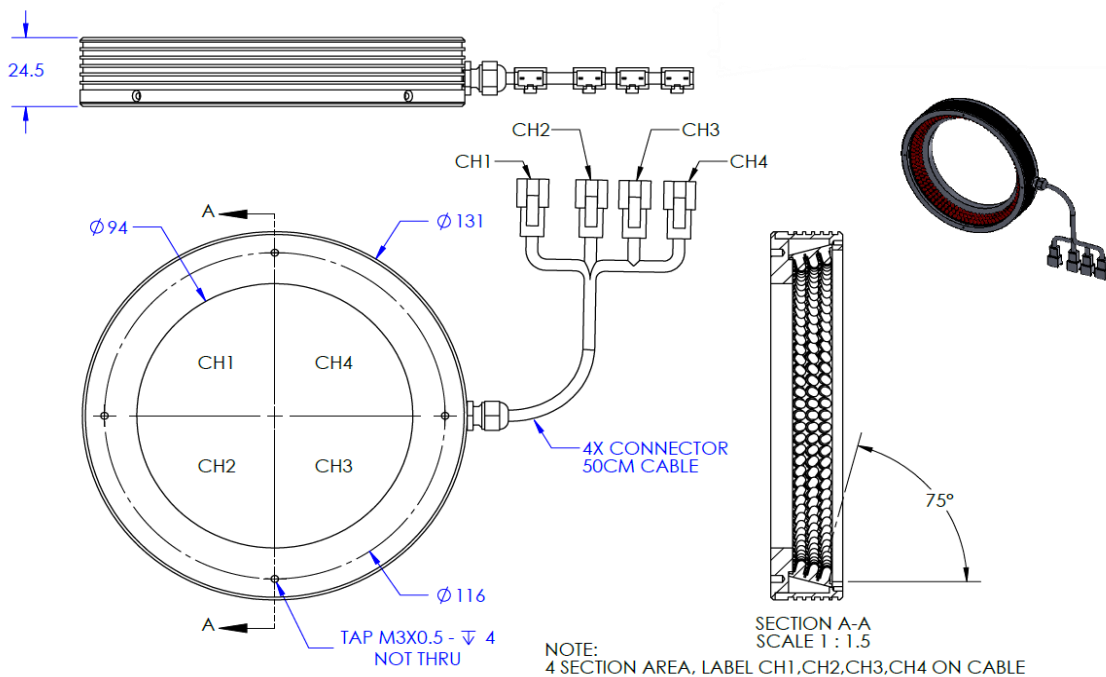


OPTO ENGINEERING

ILLUMINATOR DATA

LLA-75-130-3-B-24V-CH4

Lighting Dimension



Mechanical Information

Casing Material	Aluminium
Storage Temperature Range	0 - 45°C
Storage Humidity Range	20 - 85%
Weight	265g
Length / Outer Diameter	131mm
Width / Inner Diameter	94mm
Thickness / Height	24.5mm



OPTO ENGINEERING

ILLUMINATOR DATA

LLA-75-130-3-B-24V-CH4

Lighting Information																					
Part Number	LLA-75-130-3-B-24V-CH4																				
LED Color	Blue																				
Wavelength	525																				
Working Distance	5 10 15																				
Intensity (±15%)	*for further information please contact																				
Illumination (number of row)	3																				
Illumination Active Area	Active Length / Outer Dia. 116																				
	Active Width / Inner Dia. 94																				
Emission angle	75																				
Eye Safety Class (IEC62471)	II																				
Chromaticity Table	<table border="1"> <tbody> <tr> <td>X</td> <td>0.296</td> <td>0.287</td> <td>0.307</td> <td>0.311</td> <td>X</td> <td>0.311</td> <td>0.307</td> <td>0.33</td> <td>0.33</td> </tr> <tr> <td>Y</td> <td>0.276</td> <td>0.295</td> <td>0.315</td> <td>0.294</td> <td>Y</td> <td>0.294</td> <td>0.315</td> <td>0.339</td> <td>0.318</td> </tr> </tbody> </table>	X	0.296	0.287	0.307	0.311	X	0.311	0.307	0.33	0.33	Y	0.276	0.295	0.315	0.294	Y	0.294	0.315	0.339	0.318
X	0.296	0.287	0.307	0.311	X	0.311	0.307	0.33	0.33												
Y	0.276	0.295	0.315	0.294	Y	0.294	0.315	0.339	0.318												
For White colour only																					

Electrical Information	
Rated Constant Voltage	24V±2%
Rated Constant Current	540mA
Power Consumption	12.96W
Casing temperature, After 60 minutes operation	55.8


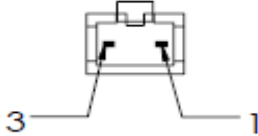
Strobe Mode Specification	
*Normal Strobe Voltage	24 V
*Normal Strobe Current	540mA
Overdrive Voltage Range	Min: 36V Max: 48V
Overdrive Current Range	Min: 1720mA Max: 3160mA
Recommended Overdrive Voltage	36V
**Max. Trigger Pulse Duration	10 msec
**Max. Duty Cycle	10%

*Normal strobe means the lighting is operated using the rated power. Overdrive means the power supplied to the lighting exceeded the rated power.

**Overdrive condition must not exceed the max. trigger pulse duration and max. duty cycle.

ILLUMINATOR DATA

LLA-75-130-3-B-24V-CH4

Connection Information			
Connector Type (Default)	JST SMR-03V		
Cable Length	50 cm		
Pin Configuration 	Pin	Signal	Cable Colour
	1	LED +	Red
	2	N.C	-
	3	LED -	White
			

Additional Information	
Additional Cooling Method	Attached to machine part for better heat dissipation
Intensity Controller Selection	SD, ST, ANG, LC, SDA, SDP series
CE Conformity	YES
RoHS Compliance	YES

Application	
Illumination Type	Direct, Low Angle, Ring Illumination
Application Use	Edge Detection, Scratch on Metal or Glossy surface



OPTO ENGINEERING

ILLUMINATOR DATA

LLA-75-130-3-B-24V-CH4

Lighting Pattern				
Working Distance	For further details please contact us.			
Display and Image				
Data Results	Horizontal	Meas.(mm)	Vertical	Meas.(mm)
	90%		90%	
	80%		80%	
	70%		70%	
	60%		60%	
	50%		50%	
	40%		40%	
	30%		30%	
	20%		20%	
	10%		10%	